



Rotary



DRIVE-ON LIFTS

GENERAL SERVICE **RUNWAY LIFTS**

Dependable PATENTED **VERSATILE** Experience **PRODUCTIVE**

SPEED Original **TRUSTED** **LEADER** **Reliable** BATTERY **FASTER**

Buy America **Global Leader** **SHOCKWAVE** Raised in Madison **TESTED**

PREFERRED **Efficient** **Robust** **Service**

VALUE **Pride** **Innovative** **Long-Lasting** **PERFORMANCE**

Rotary

www.rotarylif.com



Shown: SMO14U101YBL 14,000 lbs. capacity SHOCKWAVE-equipped runway lift with optional rolling jacks



Rotary drive-on lifts make jobs easier all the way around.

For easier vehicle spotting you need a drive-on lift. Create significant value for your shop when it comes to increased efficiency for general maintenance and multi point inspections - especially when you add our Shockwave technology for rises and descents that are twice as fast.

The most expensive lift is the one that doesn't work.

You can trust the fact that no brand of lift performs better or longer than Rotary. A lower price doesn't necessarily mean you're getting a lift for less. Our lifts are investments that pay for themselves quickly and boost your business for years to come. Rotary lifts cost less to operate, have a consistent track record of uptime with lower repair costs and are manufactured with 95 years of legendary quality.

Rotary lifts are engineered, tested, and supported with pride in Madison, IN USA. Crafted by people who love what they do delivering their best work to you - our customer.

Choose the right lift for your shop.

Rotary Lift.



**GENERAL SERVICE RUNWAY LIFTS
ENGINEERED FOR CARS, TRUCKS and COMMERCIAL VEHICLES**

Discover the competitive, exclusive features, the variety of lifting configurations, and available accessories that only Rotary offers!

Fit and lift whatever is driven on the road. Rotary drive-on lifts accommodate a variety of vehicle classes by easily pulling up onto the lift with confidence. Open front and open through designs allow service technicians to move freely around the vehicle. Taller rise heights mean less stooping below a beam structure. With available lift accessories you can handle the additional business that will come your way. Do more work than just lift a vehicle. Do it all with a certified Rotary lift in your shop.

Supercharge SM14 Series lifts with exclusive SHOCKWAVE™ power

SHOCKWAVE™ equipped lifts are the fastest lifts in the world, accelerating productivity and increasing service orders per bay. Designed specifically for bays where service speed is essential.



SCAN THIS VIDEO CODE TO LEARN ABOUT SHOCKWAVE LIFTS

Shockwave™ equipped lifts feature:

- Spotline™ motion activated spotting laser. Center vehicles in bays accurately.
- Patented DC power system gives you an inexpensive and reliable operation while using two standard Group 24 batteries.†
- The built in battery charger uses 110v power, eliminating the need for expensive 220v wiring, and, if your shop loses power, SHOCKWAVE-equipped lifts keep on working.

Watch your productivity increase, the number of service orders increase and be shocked at the increase in revenue!

Rotary 14,000 LBS. CAPACITY RUNWAY LIFTS

SM14

CLOSED FRONT DESIGN

14,000 lbs. Four Post Lift

Features three runway lengths



SHOCKWAVE LIFTS

SM14S-SW

SM14L-SW

SM14EL2-SW

CLOSED FRONT MODELS



SHOWN:
SM14N100YBL

SM14 SERIES FEATURES:

- Industry-Best Rise: 78 3/4"
- Dual Function Sentinel Lock™ System
- Available with SHOCKWAVE™ Power
- Single Piece 20" Runways
- Air Operated Lock Release
- Adjustable Lock Ladders Keep Lift Level
- Louvered Ramps with Polymer Rollers
- Air Filter / Regulator / Lubricator
- Powder-Coated Hammer Tone Paint
- Alignment Conversion Available
- Converts to a Drive-Thru Lift



SHOWN:
X14N00100BL

X14

OPEN THROUGH

14,000 lbs. Scissor Lift

Open scissor design saves space and provides greater technician access with true vertical lifting

FEATURES:

- 40" Between Runways
- Versatile 198" Wheelbase Range
- Intuitive Console Controls
- Folding Ramps With Rear Chocks
- 40" Between Platforms for More Access
- Recessed / Surface Mount Options
- Alignment Model Available

SMO14

OPEN FRONT DESIGN

14,000 lbs. Four Post Lift

Features two runway lengths with an open front design for greater vehicle access



SHOCKWAVE LIFTS

SMO14L-SW

SMO14EL2-SW

OPEN FRONT MODELS



SHOWN:
SMO14101YBL

MODEL

Lift Colors are Blue and Red
Power Unit Consoles are Gray

X14

SCISSOR LIFT

SURFACE MOUNT

X14N0010

	X14N0010
Lift Capacity	14,000 lbs.
Rise*	72 3/4"
Width Overall	91"
Length Overall	277"
Runway Length	216"
Maximum Wheelbase	198"
Lowered Height	10 3/4"
Runway Width	25 1/2"
Minimum Bay Size	14' x 27'
Motor / Voltage	5 HP / 230V
Time of Full Rise	77 seconds

*Rise measures floor to top of runway at full stroke.
Surface mounted measurement.

MODEL	SM14	SMO14
Lift Colors are Blue and Red	4 POST LIFT	4 POST LIFT
STANDARD	SM14N100Y	SMO14N101Y
LONG	SM14N101Y	SMO14N102Y
EXTENDED	SM14N102Y	SMO14N102Y
SHOCKWAVE EQUIPPED	SM14U100Y	SMO14U101Y
	SM14U101Y	SMO14U102Y
	SM14U102Y	SMO14U102Y
Lift Capacity	14,000 lbs.	14,000 lbs.
Rise*	73 3/4" • / 78 3/4"	78 3/4"
Width Overall †	131 3/4"	140 1/2"
Length Overall †	226" / 250" / 283"	253" / 286"
Maximum Wheelbase	158" / 182" / 215"	182" / 215"
Drive-Thru Width	116 1/4"	116 1/4"
Column Height	90"	108 11/16"
Width Between Runways	43" to 46"	43"
Runway Width	20"	20"
Minimum Bay Size	15' x 23', 26' or 28'	15' x 26' or 28'
Motor / Voltage With SHOCKWAVE	2 HP / 208 - 230V 5 HP / 110V	2 HP / 208 - 230V 5 HP / 110V
Time of Full Rise With SHOCKWAVE**	65 seconds 35 seconds	65 seconds 35 seconds

*Rise measures floor to top of runways at full stroke. • STANDARD model rise measurement.

† Length and or width is 10 -1/2" longer with SHOCKWAVE unit mounted on column side or front.

**Actual times depend on vehicle weight.

Narrow bay SM14 models available. Consult factory for minimum bay size.

OPTIONAL LIFT ACCESSORIES

Contact the manufacturer for proper lift application

Air / Utility Box includes two 110v electric outlets, air connection with filter/regulator/lubricator

Ramp Kits for drive-thru capability and low-profile vehicles

Air Operated Tire and Wheel Lifts with air hose and air tool connection

SPOTLINE™ Laser Kit helps center vehicles in bays quickly and accurately

TECH LIGHT™ LED Runway Lighting Kit / Four light wands for effective lighting

TECH LIGHT™ Line Light R / LED inspection hand lamp with top spot light

Oil Drain Pans include splash guard, drain valve and dust cap

Lock Light™ provides green light visual confirmation when lift is lowered to its locks

Removable Work Steps for lifts with slots on sides of runways / SM14 lifts only

Rotary 18,000 to 30,000 LBS. CAPACITY RUNWAY LIFTS



SHOWN:
SM18N000BL

SM18 HEAVY DUTY FOUR POST 18,000 lbs. Four Post Lift

FEATURES:

- Two Runway Lengths
- Single Point Air Lock Release
- Dual Function Sentinel Lock™ System
- 3-Phase Power Available
- Folding Ramps With Rear Chocks
- Air / Filter / Lubricator
- Optional Internal Airline Kit
- Alignment Conversion Kits Available
- Converts to a Drive-Thru Lift

MODEL SM18
Lift Colors are Blue and Red
4 POST LIFT

STANDARD	SM18N000
EXTENDED	SM18N001
Lift Capacity	18,000 lbs.
Rise*	68"
Width Overall	11' 5 3/4"
Length Overall	22' 11 2/16" 25' 11 2/16"
Max. Wheelbase	194" / 230"
Drive Thru Width	10' 1/8"
Runway Width	22"
Min Bay Size	16' x 27' or 30'
Motor / Voltage	2 HP / 208 - 230V
Time of Full Rise	65 seconds

*Rise measures floor to top of runway at full stroke.



RFL25 HEAVY DUTY FOUR POST Drive-On Forklift Service Lift 25,000 lbs.

FEATURES:

- Single Point Air Lock Release
- Dual Locking System
- 3-Phase Power Available
- Folding Ramps With Rear Chocks
- Air / Filter / Lubricator
- Optional Internal Airline Kit

MODEL RFL25
Lift Colors are Blue and Red
4 POST LIFT

STANDARD	RFL2500
Lift Capacity	25,000 lbs.
Rise*	68 3/4"
Width Overall	12' 4 13/16"
Length Overall	22' 5"
Max. Wheelbase	163"
Drive Thru Width	11'
Runway Width	24"
Min Bay Size	16' x 26'
Motor / Voltage	4 HP / 208 - 230V
Time of Full Rise	95 seconds

*Rise measures floor to top of runway at full stroke.



SHOWN:
SM30N010BL

SM30 HEAVY DUTY FOUR POST 30,000 lbs. Four Post Lift

FEATURES:

- Three Runway Lengths
- Single Point Air Lock Release
- Dual Locking System
- 3-Phase Power Available
- Folding Ramps With Rear Chocks
- Air / Filter / Lubricator
- Internal Airline Kit
- Alignment Conversion Kits Available
- Converts to a Drive-Thru Lift

MODEL SM30
Lift Colors are Blue and Red
4 POST LIFT

STANDARD	SM30N010
LONG	SM30N011
EXTENDED	SM30N012
Lift Capacity	30,000 lbs.
Rise*	68 3/4"
Width Overall	12' 4 13/16"
Length Overall	25' 9 1/2" 28' 9 1/2" 31' 9 1/2"
Max. Wheelbase	235" / 271" / 307"
Drive Thru Width	11'
Runway Width	24"
Min Bay Size	16' x 27' or 30'
Motor / Voltage	4 HP / 208 - 230V
Time of Full Rise	95 seconds

*Rise measures floor to top of runway at full stroke.

OPTIONAL LIFT ACCESSORIES / Contact the manufacturer for proper lift application

Air / Utility Box includes two 110v electric outlets, air connection with filter/regulator/lubricator

Ramp Kits for drive-thru capability / SM18 and SM30 lifts

Air Operated Tire and Wheel Lifts with air hose and air tool connection

TECH LIGHT™ LED Runway Lighting Kit / Four light wands for effective runway lighting

Oil Drain Pans include splash guard, drain valve and dust cap

Removable Work Steps for lifts with slots on sides of runways

Alignment Conversion Kits transform your existing flat top runway lift into a fully functioning alignment lift



HDC SERIES HEAVY DUTY LIFTS 35,900 to 60,000 lbs. CAPACITIES

Operator friendly with exclusive features offer a four-post lift that's faster and easier to use than similar competitor lifts.

HDC Series battery operated lifts are inexpensive to own with an on board charger requiring only 110v electricity. With no complicated or expensive electrical installation, no cables, chains or sheaves to maintain, these fully hydraulic lifts allow you to operate the lift from any column, saving valuable time.

FEATURES:

- Operate lift from any column
- Available in three lengths and capacities
- Clear floor design for open work area
- Surface mounted and anchored
- 28" wide runways
- Folding ramps with automatic rear chocks
- Standard internal airline connections

Optional mobility wheel kit provides portability for each column adding movement within your shop.

BATTERY OPERATED WITH ON-BOARD CHARGER

- Generates at least 1.5 X faster lift cycle times
- No special AC wiring costs or requirements
- Low electrical usage - DC battery power* and 110V charging
- Fully functional when the power goes out

HORSESHOE WIRING

The HDC is connected by three communication cables, (forming a horseshoe) protected within the lift runways.

PATENTED INTUITIVE CONTROL SYSTEM

- Visual confirmation of each column's status and lift height
- Level lifting within 1" at each column
- Oversized "E-Stop" emergency stop button at every column
- Audible descent alarm for added safety

* Battery purchased separately for international use



HDC36 HEAVY DUTY FOUR POST 35,900 lbs. Capacity

- FEATURES:**
- Two Runway Lengths: 25' and 30'
 - 79" lifting height
 - Rise time: 68 seconds



SHOWN:
HDC36U000



HDC50/60 HEAVY DUTY FOUR POST 50,000 and 60,000 lbs. Capacities

- FEATURES:**
- Two Runway Lengths: 28' and 33'
 - 78" lifting height
 - Rise time: 65 seconds

MODEL
Lift Color is Red

**HDC36
HDC36L
4 POST LIFT**

**HDC50
HDC60
4 POST LIFTS**

	STANDARD EXTENDED	HDC36U00 HDC36U01	HDC50U00 HDC60U00
Lift Capacity		35,900 lbs.	50,000 lbs. 60,000 lbs
Rise*		79"	78"
Width Overall		16' 3 3/8"	15' 11"
Length Overall**		33' 11 3/4" 38' 11 3/4"	35' 7 1/2" 40' 7 1/2"
Max. Wheelbase		25' 30'	28' 33'
Column Height at Full Rise		89"	144 3/4"
Drive Thru Between Columns		12' 4"	11' 10"
Runway Spacing		45"	45"
Runway Width		28"	28"
Time of Full Rise		68 seconds	65 seconds
Power Usage		Battery Powered Charges on 110V	Battery Powered Charges on 110V
Ramp Angle		7 degrees	10 degrees

*Rise measures floor to top of runway at full stroke.

**Both 28' and 33' runway length models are available as 50,000 and 60,000 lbs. capacity lifts.

OPTIONAL LIFT ACCESSORIES

Contact the manufacturer for proper lift application

Air Operated Rolling Bridge for HDC36 Lifts

- RJ14BK** / 14,000 lbs (6350kg) with lock
- RJ22BK** / 22,000 lbs (9979kg) with lock

Air Operated Rolling Bridge for HDC56/60 Lifts

- RJ25BK** / 25,000 lbs. (11363 kg) with lock
- RJ30BK** / 30,000 lbs. (13610 kg) with lock

Low Profile Rolling Drain Pan

- FC5968BK** / 30 Gallon (114 Liter)
- Includes splash guard, drain valve and dust cap

Drive-Thru Ramp Kits / 10' Ramps

- M140133RD** / for HDC 36 Models
- M140099RD** / for HDC 50 and 60 Models

Column Mobility Wheel Kits

- M140125RD** / adds wheels and steering to HDC 36 Model Columns
- M140111RD** / adds wheels and steering to HDC 50/60 Model Columns

Shim Kits for 36K, 50K, or 60K Single Columns

- M140105** / 2" Shim Kit for HDC single column
- M140106** / 1" Shim Kit for HDC single column
(Two 1/2, Two 1/4, Two 1/8, Two 1/16)

TECH LIGHT™ Line Light 4 LED Runway Lighting Kit

- FA5700** / Four 54" long light wands with 216 LEDs each / 60W power supply
Includes 16' cable lengths, 8 magnetic clips. Input voltage 100-240V AC



Air operated rolling bridge jacks



Drive-thru ramp kit



Mobility kit



RUNWAY LIFT ACCESSORIES

We make the lifts. Accessories make the lifts yours.

Maximum performance with minimum downtime. It's what we strive to provide in everything we design and manufacture. That includes our genuine parts and accessories. **Consult factory for proper lift applications.**

Add productivity to any general service lift

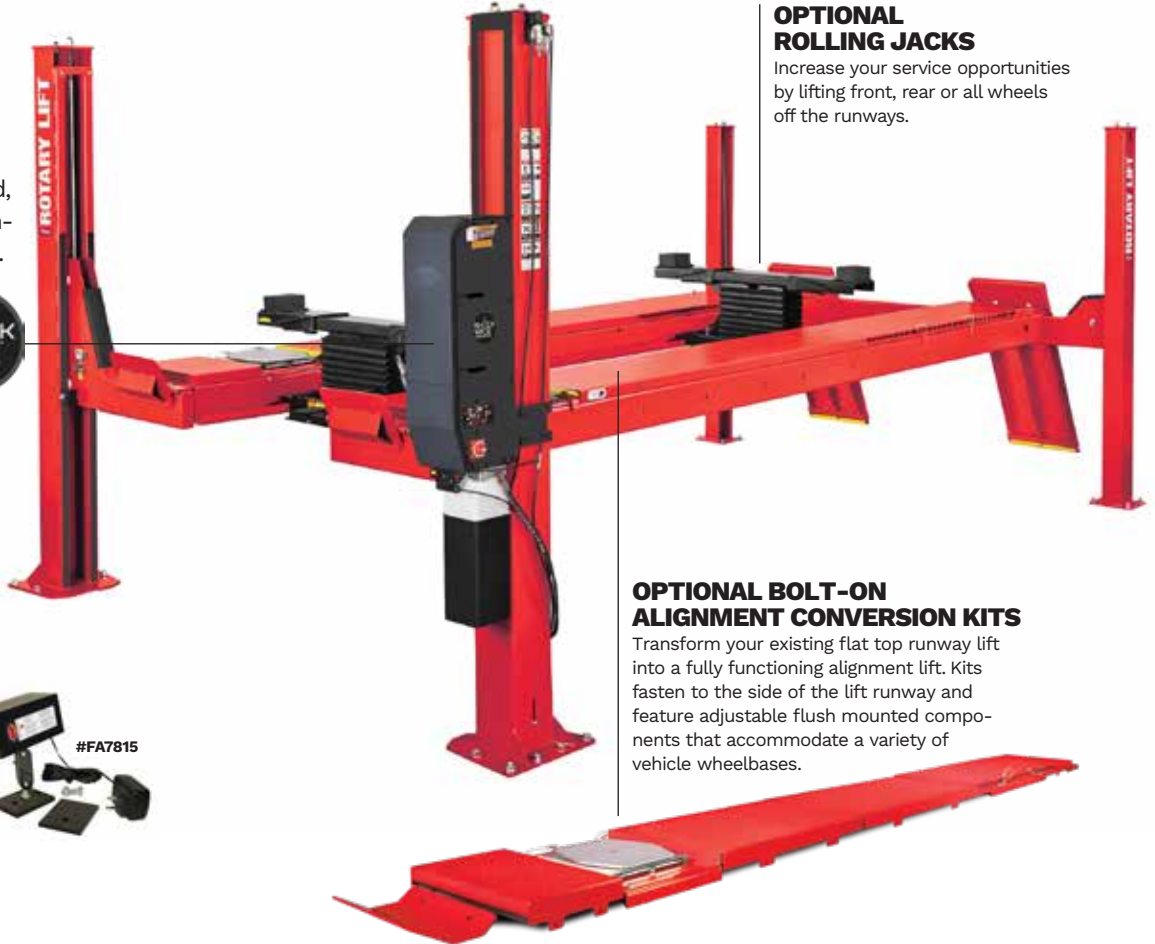
You want your shop to be as efficient, productive and profitable as possible.

Supercharge SM14 Series lifts with exclusive SHOCKWAVE™ power

SHOCKWAVE™ equipped lifts are the fastest lifts in the world, accelerating productivity and increasing service orders per bay. Designed specifically for bays where service speed is essential.



WATCH AND LEARN ABOUT SHOCKWAVE



OPTIONAL ROLLING JACKS

Increase your service opportunities by lifting front, rear or all wheels off the runways.

OPTIONAL BOLT-ON ALIGNMENT CONVERSION KITS

Transform your existing flat top runway lift into a fully functioning alignment lift. Kits fasten to the side of the lift runway and feature adjustable flush mounted components that accommodate a variety of vehicle wheelbases.

SPOTLINE™ LASER KIT

Motion activated laser helps center vehicles in bays quickly and accurately. Laser guided system comes complete with motion sensor and mounting hardware.



STANDARD on SHOCKWAVE-equipped SM14 SERIES Lifts

AIR OPERATED TIRE LIFTS

Includes air hose and air tool connection and pressure regulator to prevent overloading

200 lbs. and 500 lbs. capacities



RAMP KITS

- Oil resistant, non-skid coating
- Includes two ramps and hardware
- Extended length ramps for low clearance vehicles available



S100151	Two 40 1/2" Ramps for SM/SMO14-100 Series
S100152Y	Two 49 7/16" Ramps for SM/SMO14 Series
SRS1600/RWG	Two 70" Ramps for XA14 Lift
S100013	Two Extended Ramps for SM18
FC5825BK	Two DRIVE THRU Ramps for SM18
FC5780-3	One Standard Length Ramp for SM30 Lifts
FC5781-7	One Extended Length Ramp for SM30 Lifts

SM14 / SMO14(S/L/EL) ALIGNMENT KITS

Bolt-On Alignment Kit	Maximum Wheel Base Range
S100130M	182" (4623mm)
S100131M	215" (5461mm)

Kit includes stainless steel radius gauges, slip plates and ramp modifications, with necessary mounting hardware. Rolling jacks sold separately.

Bolt-On Alignment Kit – no Radius Gauges	Maximum Wheel Base Range
S100136M	182" (4623mm)
S100137M	215" (5461mm)
S100171 Includes additional airline kit and one (1) rolling jack	182" (4623mm)

Kit includes stainless steel slip plates and ramp modifications, with necessary mounting hardware. Rolling jacks sold separately.

RADIUS GAUGE KITS

Bolt-on stainless steel radius gauge for performing two-wheel alignments. Turntable capacities up to 15,000 lbs.

Consult factory for additional alignment kit accessories and packages.

SM18 / SM18EL2 ALIGNMENT KITS

Bolt-On Alignment Kit	Maximum Wheel Base Range
S100182 / Post 10-2017	194" (4623mm)
S100181 / Post 10-2017	230" (4623mm)

Kit includes stainless steel radius gauges, slip plates and ramp modifications, with necessary mounting hardware. Rolling jacks sold separately.

SM30 SERIES ALIGNMENT PACKAGE

Bolt-On Alignment Kit	Maximum Wheel Base Range
FC7125 with rollback	274" (6960mm)

Includes two (2) carbon steel radius gauges, one (1) work step and recoil hose. Rolling jacks sold separately.



ROLLING JACKS

Increase your service opportunities by lifting front, rear or all wheels off the runways for brake, tire, suspension and two or four-wheel alignment work.



From 6,000 lbs. to 15,000 lbs. capacities. Contact factory for complete details, options, and service lift applications.

6,000 lbs. / 7,000 lbs. CAPACITIES*

- RJ6100Y-1 6,000 lb. capacity for SM14 lifts
 - RJ7100-X 7,000 lb. capacity for X14/XA14 lifts
 - RJ7100Y 7,000 lb. capacity for SM14/18 lifts
- Each model includes rubber adapter blocks, frame adapters and extensions
- FC663BK ROLLING JACK TRAY FOR SM/SMO14 lifts
 - FC613BK ROLLING JACK TRAY FOR SM30 lifts

9,000 lbs. CAPACITIES*

- RJ9100Y for SM18 lifts
- RJ9100Y-1 for SM18 lifts
- RJ9100Y-2 for SM30 lifts

Each model includes rubber adapter blocks, frame adapters and extensions

*NOTE: Each jack model has different telescoping ends. Contact factory for complete details.

15,000 lbs. CAPACITIES

- RJ150 for SM30 lifts
- RJ152 for SM30 lifts

INTERNAL AIRLINE KITS

Standard Internal airline connections let two rolling jacks operate simultaneously, and provides air outlet on the runway.



- FC5760-14 18,000 capacity lifts and below
- FC7138 For X14 lifts / Retrofit

LOCK LIGHT™

Provides an instant green light visual confirmation when lift is lowered to its locks. Compatible with high-pressure lifts that use an electric/hydraulic power unit providing an unused pressure port is available. Patent-pending.

Kit includes:

- Indicator light assembly
- Pressure switch
- Mounting bracket
- 10' of electrical wire



FA834-KIT 110V
FA835-KIT 220V

TECH LIGHT™ RUNWAY LIGHTING LINE LIGHT 4 LED Lighting Kit



Effective runway lighting system, attach the four 54" light wands to runways for efficient lighting where you need it.



FA5700
Includes 60W power supply unit, 16' cable lengths and 8 magnetic suspensions

- 120V AC input voltage
- 60hz

PORTABLE PRODUCTIVITY JACKS

Junior-Jack2 / 4,400 lbs. capacity

High rise jack assembly for removal and transportation of fuel tanks, transmissions, transfer cases and other items. Floor style jack.

- Air assist and foot pedal adjustment
- Swivel caster wheels
- Patented corrosion protection



Shown with optional GA Car table



GA4 Accessory Table

4,400 lb. capacity / flat style
12 degree tilt / 20-7/8" X 15" X 4-3/4" platform

- Large rubber supports with two straps

3134101 Adapter for GA4

AIR / UTILITY BOX

Mounts easily on any column and provides quick access to utilities

- Two 110v electric outlets and air connection
- The filter/regulator/lubricator helps extend the life of your air tools



- FA915 Air/Electric Utility Box
Includes Filter/Regulator/Lubricator
- FA2259BK Air/Electric Utility Box for SM18, SM30
Includes Filter/Regulator/Lubricator
- FA2260BK Air/Electric Utility Box

REMOVEABLE WORK STEP

Optional accessory for the runway lifts with slots, this repositionable stand fits the outer sides of the four-post runway slots as shown.



- FC5378BK Kit of two steps for 14K capacity 4 post lifts
- FC5663YL Kit of two steps for 18K and 30K capacity 4 post lifts

OIL DRAIN PANS

Available for most lifts, drain pan includes splash guard, drain valve and dust cap.



- FC5967BK Drain pan, 30 Gallon, SM/SMO14, SM18 Lifts
- FC5968BK Drain pan, 30 Gallon rolling, SM30 Lifts
- FC5247 Hose, 8 ft oil drain with QD fitting

TECH LIGHT™ LINE LIGHT R

Rechargeable LED inspection hand lamp with top spot light. Supplied with flexible suspension clips holder with both hook and magnet for positioning the light where you need it.

- 180 lumen in main light operates for up to 3 hours
- 120 lumen in spot light operates for up to 6 hours
- 4 hour charging time



FA5702



ALIGNMENT SYSTEMS

TIRE CHANGERS



WHEEL BALANCERS

The name you've come to trust for lifting vehicles worldwide also offers the best wheel service equipment for your shop.

Rotary's line of wheel service equipment offers cutting-edge technology, productivity and safety features that every shop is looking for.

Providing the best service is about more than just know-how. It's about having the right equipment for the job. The go-to choice for shops of all sizes, Rotary's line of premium equipment is manufactured to the highest standards of quality and durability to help you perform the job right the first time, every time. All Rotary wheel service equipment carries an industry-leading 3 year warranty

Offer your customers top quality tire and wheel service by putting Rotary to work for you.



www.rotarywheelservice.com



Rotary Lift

2700 Lanier Drive / Madison, IN 47250, USA

rotarylif.com     

Sales:

1.812.273.1622 / 800.445.5438
insidesales@vsgdover.com

Government Sales:

800.445.5438 X5655

For additional information:

rotarylif.com/Government-Purchasing-Assistance/



Tech. Support:

800.445.5438
technicalsupport@rotarylif.com

Lit# Rotary Drive On Lifts Brochure.2021.11

©2021 VEHICLE SERVICE GROUP™, Printed in U.S.A., All Rights Reserved. Unless otherwise indicated, ROTARY LIFT, VEHICLE SERVICE GROUP™, DOVER and all other trademarks are property of Dover Corporation and its affiliates.

Manufactured using the following patents:

Sentinel Lock™ System (U.S. Patent No. 6,446,757)

Bolt-On Alignment Kit Spacer Plate with enclosed pockets: (U.S. Patent No. D740742)

Intuitive Control Console / Wireless Column Communication (U.S. Patent No. 6983196 / U.S. Patent No. 8083034)

Product specifications, part numbers, images and component descriptions are subject to change without notice or liability.